

63MM SEVERE SERVICE GAUGE

- 3 Standard Mounting Options: LM, CB and U-Clamp
- Glycerine Filled
- Ranges to 10,000 psi

Marsh Instruments Liquid-Filled Gauges are designed to perform in rugged applications and harsh environmental conditions - especially where pulsation and vibration are a problem. Liquid Filled Gauges offer a significant cushioning and dampening effect, reducing pointer flutter and internal gauge damage; also lubricating the internals, and reducing corrosion.

All stainless steel Liquid Filled Gauges feature a ventable top fill plug for pressure relief and ease of venting after installation. Pressure ranges are available through 10,000 psi, with high pressure ranges offering a Helical Bourdon Tube for longer gauge life and increased durability. The hermetically sealed construction reduces the chance of leaks, and makes field filling an easy option.

Typical applications include refineries, chemical plants, offshore platforms, oil rigs, marine applications, general industrial application and OEM processes.



STANDARD RANGES & PART NUMBERS

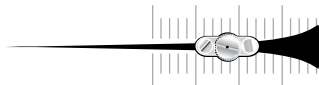
TYPE	63MM SEVERE SERVICE GAUGES					
Size	63mm			63mm		
Case Material	304 Stainless Steel			304 Stainless Steel		
Internals	Copper Alloy			Stainless Steel		
Mounting / Case Style	LM	UC	CB	LM	UC	CB
Connection	¼ NPT	¼ NPT	¼ NPT	¼ NPT	¼ NPT	¼ NPT
Scale Standard	psi/kPa			psi/kPa		
0 to 30" Hg VAC	J7605P	J7205P	J6405P	J7805P	J7405P	J6605P
30" Hg VAC to 15 psi						
30" Hg VAC to 30 psi	J7612P					
30" Hg VAC to 60 psi	J7614P					
30" Hg VAC to 100 psi						
30" Hg VAC to 150 psi	J7618P	J7218P	J6418P	J7818P	J7418P	J6618P
30" Hg VAC to 200 psi	J7620P	J7220P	J6420P	J7820P	J7420P	J6620P
30" Hg VAC to 300 psi	J7624P	J7224P	J6424P	J7824P	J7424P	J6624P
30" Hg VAC to 400 psi	J7626P	J7226P	J6426P	J7826P	J7426P	J6626P
0 to 15 psi	J7640P	J7240P	J6440P	J7840P	J7440P	J6640P
0 to 30 psi	J7642P	J7242P	J6442P	J7842P	J7442P	J6642P
0 to 60 psi	J7646P	J7246P	J6446P	J7846P	J7446P	J6646P
0 to 100 psi	J7648P	J7248P	J6448P	J7848P	J7448P	J6648P
0 to 160 psi	J7652P	J7252P	J6452P	J7852P	J7452P	J6652P
0 to 200 psi	J7654P	J7254P	J6454P	J7854P	J7454P	J6654P
0 to 300 psi	J7658P	J7258P	J6458P	J7858P	J7458P	J6658P
0 to 400 psi	J7660P	J7260P	J6460P	J7860P	J7460P	J6660P
0 to 600 psi	J7664P	J7264P	J6464P	J7864P	J7464P	J6664P
0 to 1,000 psi	J7672P	J7272P	J6472P	J7872P	J7472P	J6672P
0 to 1,500 psi	J7674P	J7274P	J6474P	J7874P	J7474P	J6674P
0 to 2,000 psi	J7676P	J7276P	J6476P	J7876P	J7476P	J6676P
0 to 3,000 psi	J7678P	J7278P	J6478P	J7878P	J7478P	J6678P
0 to 5,000 psi	J7682P	J7282P	J6482P	J7882P	J7482P	J6682P
0 to 6,000 psi	J7684P	J7284P	J6484P	J7884P	J7484P	J6684P
0 to 10,000 psi				J7890P	J7490P	J6690P

NOTE: Items are available on special order. However, minimums and lead times apply. Consult factory.

SPECIFICATIONS

- ACCURACY**
ASME Grade B - ±3/2/3% (±2% of range across middle half of scale)
- CASE SIZES**
63mm (2.47") diameter
- CASE MATERIAL**
304 Stainless Steel
- CASE STYLE**
Rolled ring, hermetically sealed case
CB - Center Back Mount
LM - Lower Mount
UC - U-Clamp Mount
- TUBE & SOCKET**
Copper alloy or 316 stainless steel
- MOVEMENT**
Brass
- CONNECTION**
¼ NPT
- RANGES**
0 to 30" Hg VAC; Compound 30" Hg to 400 psi; 15 to 10,000 psi
- DIAL STANDARD**
Dual scale psi and kPa
- DIAL COLOR**
Black markings on white
- POINTER**
Aluminum, black painted
- WINDOW**
Polycarbonate
- FILL MEDIUM**
Glycerine Standard
- RESTRICTOR**
Standard for all ranges
- VENT PLUG**
Rubber plug with snip-off feature
- WEIGHT**
Filled 1.0 lb.
Dry 0.7 lb.

Severe Service

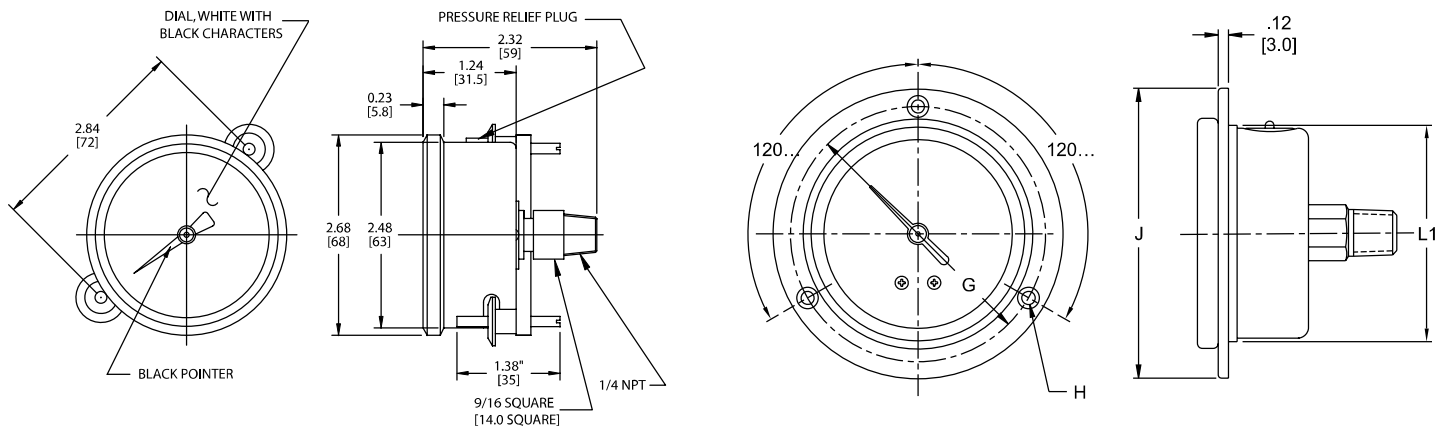


Front flange mount



63MM SEVERE SERVICE GAUGE OPTIONS			
OPTION	TYPE	SUFFIX	AVAILABLE ON MODELS
Fill Medium	Dry (no fill)	Delete suffix P	All models
	Silicone (SL)	I	All models
Front Flange	Adapter ring (3 hole)	R1	Center Back & U-Clamp only (factory Installed)
	Adapter ring (no holes)	R2	U-Clamp only (factory Installed)
Bayonet Case & Ring w/Safety Glass		J	Center Back or Lower Mount (consult factory)
Catalog Dials	psi only	E	See Marsh Price List for minimum ← Many are stocked, consult factory
	bar only	L1	
	kg/cm ² only	L2	
	kPa only	L3	
	MPa only	L4	
	psi & bar	W1	
	psi & kg/cm ²	W2	
psi & MPa	W4	← Many are stocked, consult factory	
Custom Dials	Logo or Custom face	M	Consult factory for colors and minimums
Restrictor	Special restrictor	H	All models - See Marsh Price List for minimum
	Restrictor removed	H1	
Special Connections			Consult Factory

Gauge Size	Connection	A	C	G	H	K	J	L	L1
63mm	1/4"	2.66"	1.03"	2.95"	0.15"	0.56"	3.35	2.43"	2.5"
		68mm	26mm	75mm	4mm	14mm	85mm	62mm	64mm



ALL DIMENSIONS ARE NOMINAL

